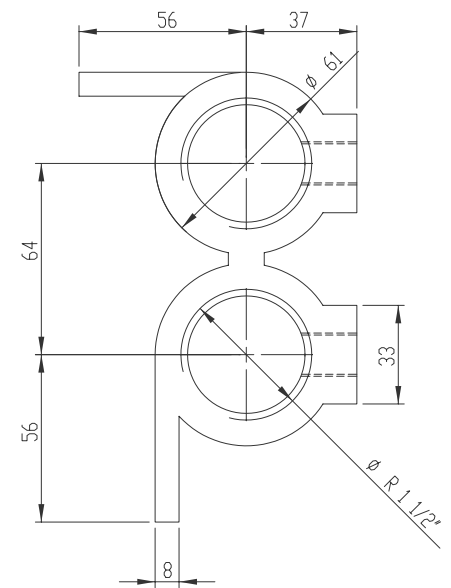
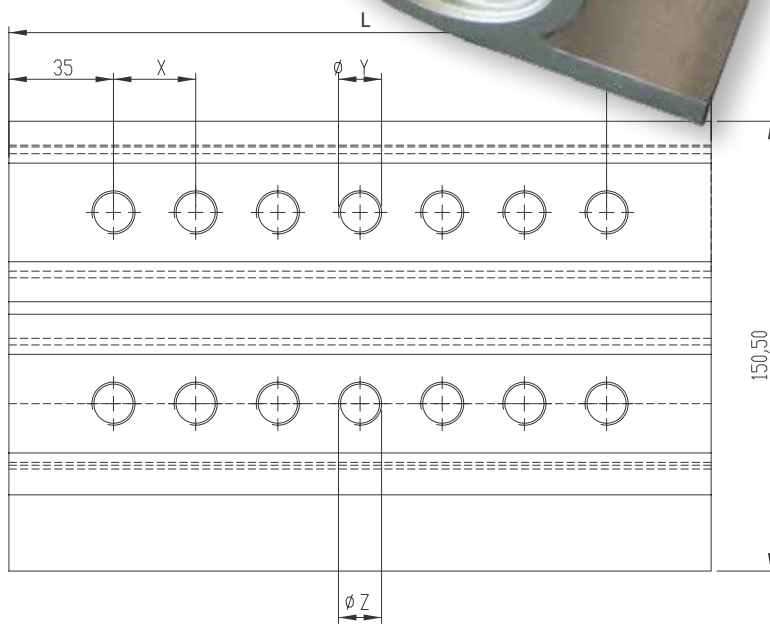


MILACRON®



# SPECIAL COOLING MANIFOLD

## Optimizing cooling times

## Special Cooling Manifold

### Design your own Cooling Manifold!

#### Features

- no loss in pressure due to long hoses or too many flow meters
- efficient parallel moldcooling with shorter cycle times
- easily install and group cooling connections and hoses
- in- and outlets can be connected separately
- hose lengths can be reduced, enabling the molder to work with lower pressure in the system
- cooling manifold can be installed horizontally and vertically



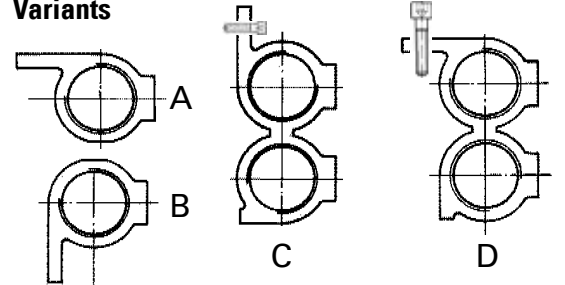
Traditional cooling connection



DME cooling manifold

- One piece Aluminium Extrusion Anodized
- Corrosion resistant / No Welds
- Standard Inlets: 1 1/2" (2 included per system)
- Predrilled Mounting Holes
- Red / Blue Marking plate Included
- Specials upon demand

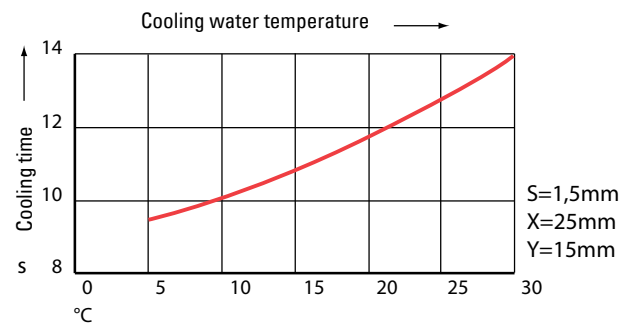
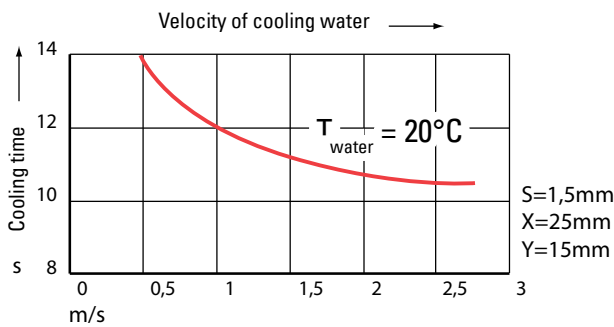
#### Variants



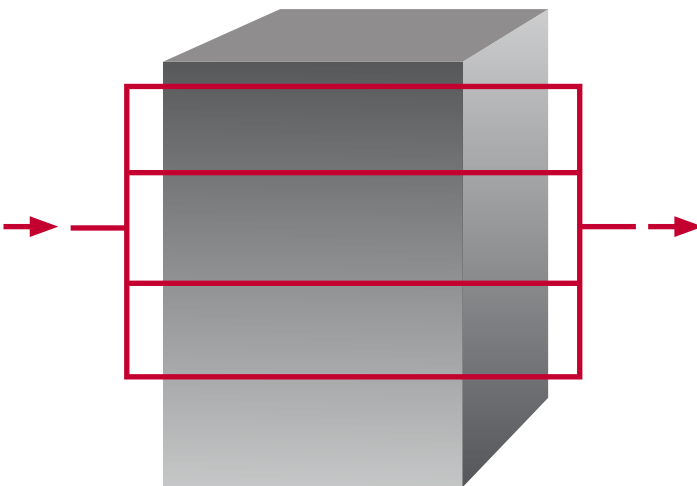
Single option  
(Upon request)

Double option  
On side of the  
mold/machine

Double option  
On top of mold/  
machine

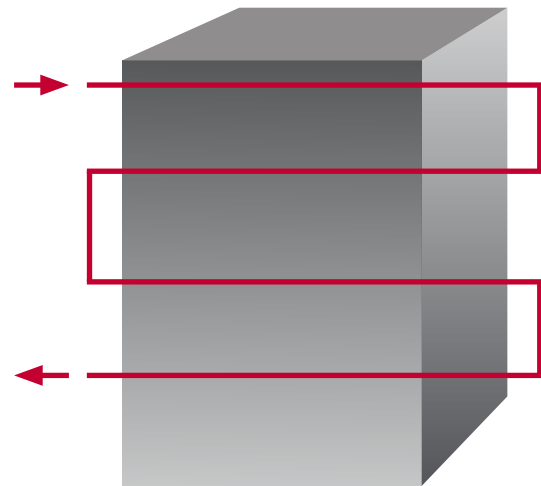


#### Parallel



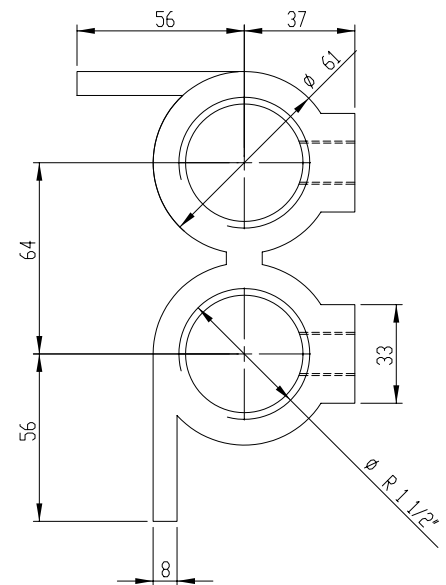
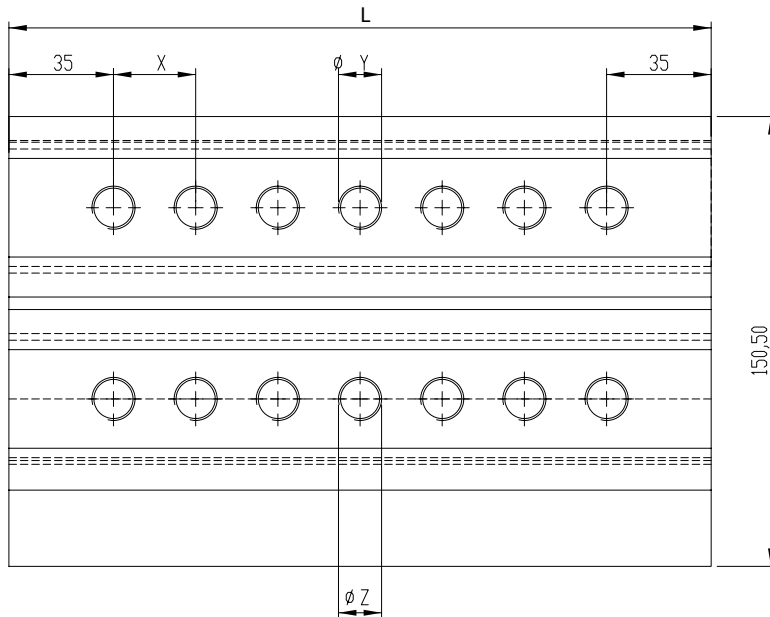
High flow  
Low pressure loss

#### Serial



Low flow  
High pressure loss

## Cooling Manifold - EXAMPLE



For use	Y/Z	X
Nipple/plug	1/4" 3/8" M14x1,5	27,50 mm
Nipple/plug	1/2" / M16x1,5	33,00 mm
Nipple/plug	3/4" / M24x1,5	50mm
Valves	upon request	Minimum 50 when using collector valves with handle

## Cooling Manifold - HOW TO ORDER

- Number of holes per row
- Thread upper row "Y"
- Thread lower row "Z"
- Distance "X"
- Total length manifold
- Manifold type (A, B, C or D - for details see previous page)

<b>Example:</b>	<b>COLM</b>	<b>2x7</b>	<b>3/8</b>	<b>3/8</b>	<b>33</b>	<b>268</b>	<b>(A, B, C, D)</b>
	REF	N° holes	Thread Y	Thread Z	X	Total Length	Manifold type

*mandatory info to be supplied by customer*

### Standard accessories available



**Collector Valve with Handle 1/2"**  
REF: CVH12  
For use with X= 41.5 mm



**GK Extension Brass 1/2"**  
Length 50 mm  
REF: GKMF12  
To be used for second row



**FLOW METER with Mechanical Regulation**  
BSP 1/2" (Female) - BSP 3/4" (Male)  
Hexagonal: SW19  
Full Length: 81mm  
Flow capacity: 2 - 8 lt/min  
Temperature Range: +0°C - +100 °C  
Working Pressure: max 10 Bar  
Springs: Stainless Steel Indicator  
Plastic Seals: Buna  
Article number: FM 1234



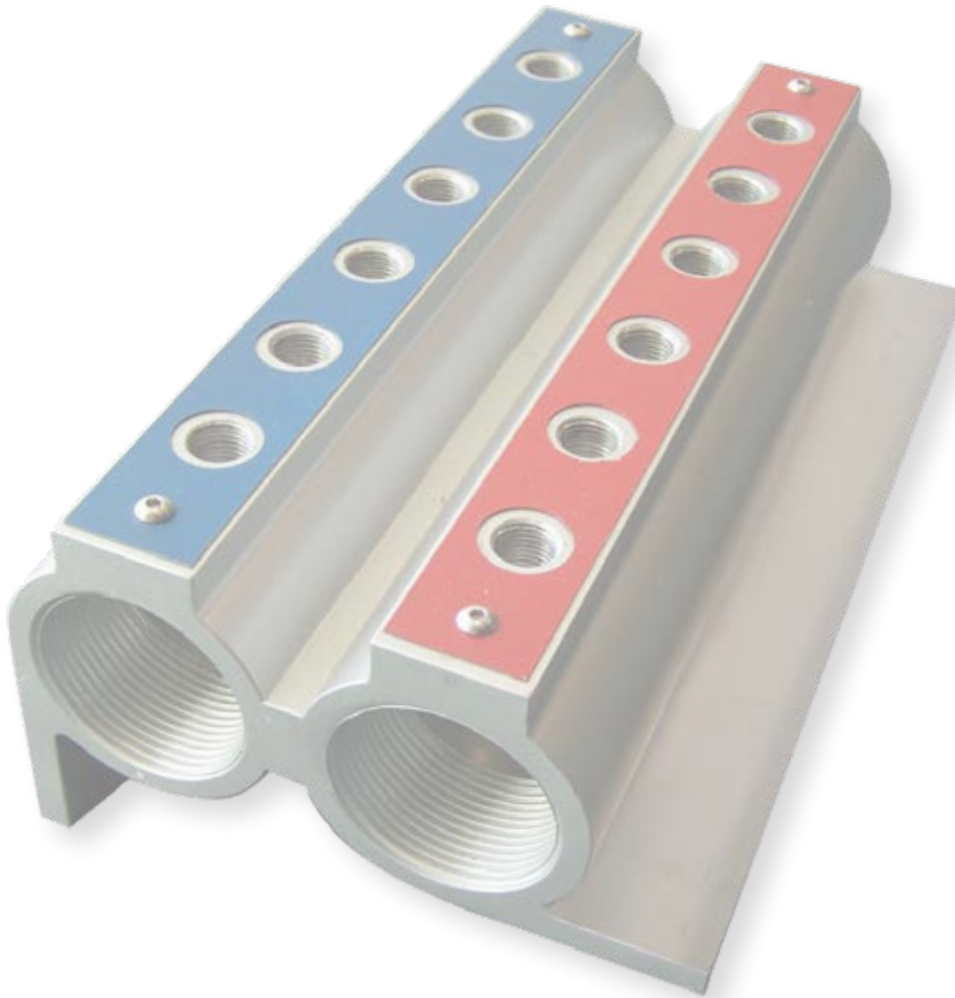
**Standard Inlets: 1 1/2"**  
REF: COMFD0001

*\* Upon request*



**MILACRON®**

**DME**  
INDUSTRIAL  
SUPPLIES



**AT**

P: 0800 301 060

F: 0800 401 020

[dme\\_oesterreich@milacron.com](mailto:dme_oesterreich@milacron.com)

**DE**

P: 0800 664 82 50 | +49 (0) 2351 437 0

F: 0800 664 82 51 | +49 (0) 2351 437 220

[dme\\_normalien@milacron.com](mailto:dme_normalien@milacron.com)

**IT**

P: 800 089 734

F: 800 089 735

[dme\\_italy@milacron.com](mailto:dme_italy@milacron.com)

**SK**

P: 0800 142 451 | +420 572 151 754

F: 0800 142 450 | +420 571 611 996

[dme\\_cz@milacron.com](mailto:dme_cz@milacron.com)

**BE**

P: +32 (0) 15 28 87 30

F: +32 (0) 15 40 51 17

[dme\\_benelux@milacron.com](mailto:dme_benelux@milacron.com)

**ES**

P: 900 900 342

F: 900 900 343

[dme\\_iberia@milacron.com](mailto:dme_iberia@milacron.com)

**NL**

P: +31 (0) 20 654 5571

F: +31 (0) 20 654 5572

[dme\\_benelux@milacron.com](mailto:dme_benelux@milacron.com)

**UK**

P: +44 2071 3300 37

F: +44 2071 3300 36

[dme\\_uk@milacron.com](mailto:dme_uk@milacron.com)

**CH**

P: +41 0848 567 364

F: +41 0848 567 365

[dme\\_schweiz@milacron.com](mailto:dme_schweiz@milacron.com)

**FR**

P: +33 1 49 93 92 23

F: +33 1 49 93 92 22

[dme\\_france@milacron.com](mailto:dme_france@milacron.com)

**PL**

P: +800 331 1312 | +32 15 21 50 92

F: +800 331 1313 | +32 15 40 51 92

[dme\\_polska@milacron.com](mailto:dme_polska@milacron.com)

**Other countries**

P: +32 15 28 87 30

F: +32 15 40 51 17

[dme\\_export@milacron.com](mailto:dme_export@milacron.com)

**CZ**

P: 800 142 451 | +420 572 151 754

F: 800 142 450 | +420 571 611 996

[dme\\_cz@milacron.com](mailto:dme_cz@milacron.com)

**HU**

P: 0680 205 003 | +32 15 28 87 30

F: +32 15 40 51 17

[dme\\_hungary@milacron.com](mailto:dme_hungary@milacron.com)

**PT**

P: 800 207 900

F: 800 207 901

[dme\\_iberia@milacron.com](mailto:dme_iberia@milacron.com)

**eSTORE**  
[store.milacron.com](http://store.milacron.com)